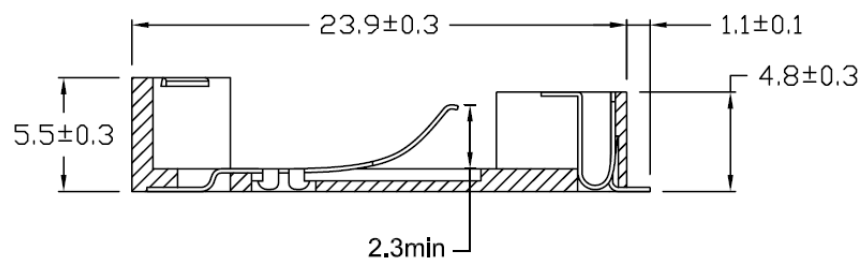
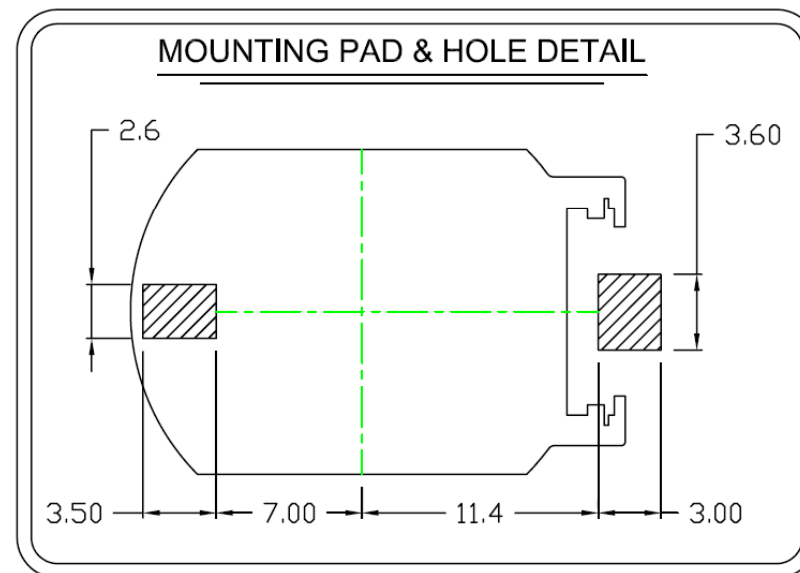


SES B-B

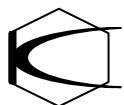


SES A-A



NOTES:

- 1、 BASE:  
MAT'L: GLASS FILED PPS UL 94V-0
- 2、 CONTACTS:  
MAT'L: 0.2mm TH'K PHOSPHOR BRONZE  
FINISH: GOLD FLASH, OVER NICKEL PLATE



銓基電子股份有限公司  
ROKI ELECTRONICS CO., LTD.

PART NAME : BATTERY HOLDER		SCALE :
PART NO : CR-2032-8 SMT		UNIT : mm
TOLERANCE : ± mm		VER : R01